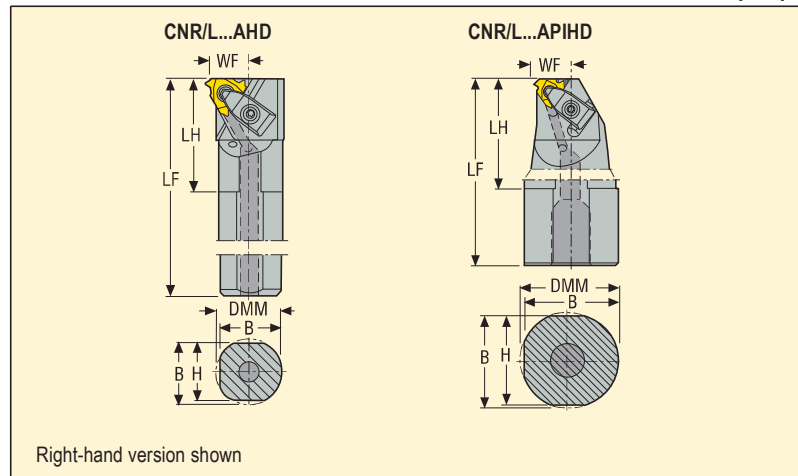


## Toolholders for S-inserts

Snap-Tap®



- For inserts programme, see page(s) 85, 87, 90-91, 94-95, 98-99, 101-103, 105, 107, 109, 113



Application	Designation	Dimensions in mm								 KG	
		DMM	H	B	LF	LH	WF	DCINN	DCINN2		
	CNR0020P16AHD	20,0	18,0	19,0	170,0	41,0	13,8	24,0	–	0,4	16..
	CNR0025R16AHD	25,0	23,0	24,0	200,0	40,0	16,3	29,0	26,0	0,7	16..
	CNR0032S16AHD	32,0	30,0	31,0	250,0	47,0	19,8	36,0	32,0	1,4	16..
	CNR0040T16AHD	40,0	37,0	38,5	300,0	47,0	23,8	44,0	40,0	2,6	16..
	CNR0050U16AHD	50,0	47,0	48,5	350,0	45,0	28,8	54,0	50,0	4,8	16..
	CNL0020P16AHD	20,0	18,0	19,0	170,0	41,0	13,8	24,0	–	0,4	16..
	CNL0025R16AHD	25,0	23,0	24,0	200,0	40,0	16,3	29,0	26,0	0,7	16..
	CNL0032S16AHD	32,0	30,0	31,0	250,0	47,0	19,8	36,0	32,0	1,4	16..
	CNL0040T16AHD	40,0	37,0	38,5	300,0	47,0	23,8	44,0	40,0	2,6	16..

## Spare Parts, included in delivery

DCINN2, modified. Please see page 27

For holder	Cantilever clamp	Clamp key	Clamp kit	Clamp screw	Insert shim (S)	Shim screw	Spring
..P, ..R16AHD	–	T15P-2	CSP16HD-T15P	–	GX16-1	CS3507-T09P	–
..S, ..T, ..U16AHD	CHD16	T15P-2	–	L85020-T15P	GX16-1	CS3507-T09P	S6912

## Accessories, to be ordered separately

For holder	Shim key	Insert shim (M)	Insert shim (S)
..P, ..R16AHD	T09P-2	MX16-1	GX16-0 GX16-2 GX16-3 GX16-4 GX16-98 GX16-99
..S, ..T, ..U16AHD	T09P-2	MX16-1	GX16-0 GX16-2 GX16-3 GX16-4 GX16-98 GX16-99

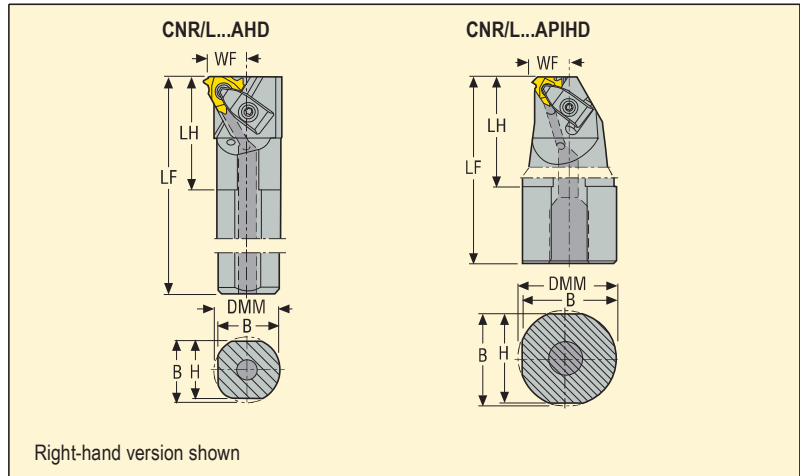
Please check availability in current price and stock-list

## Toolholders for S-inserts

Snap-Tap®



- For inserts programme, see page(s) 85, 87, 90-91, 94-95, 98, 101-103, 105, 107, 109-110, 112, 114-115



Application	Designation	Dimensions in mm								KG	
		DMM	H	B	LF	LH	WF	DCINN	DCINN2		
	CNR0025R22AHD	25,0	23,0	24,0	200,0	45,0	17,8	30,0	–	0,7	22..
	CNR0032S22AHD	32,0	30,0	31,0	250,0	46,0	21,3	38,0	32,0	1,5	22..
	CNR0040T22AHD	40,0	37,0	38,5	300,0	53,0	25,3	46,0	40,0	2,6	22..
	CNR0050U22AHD	50,0	47,0	48,5	350,0	51,0	30,3	56,0	50,0	4,8	22..
	CNR0063V22AHD	63,0	60,0	61,5	400,0	56,0	36,8	69,0	63,0	9,0	22..
	CNL0025R22AHD	25,0	23,0	24,0	200,0	45,0	17,8	30,0	–	0,7	22..
	CNL0032S22AHD	32,0	30,0	31,0	250,0	46,0	21,3	38,0	32,0	1,4	22..
	CNL0040T22AHD	40,0	37,0	38,5	300,0	53,0	25,3	46,0	40,0	2,6	22..
	CNL0050U22AHD	50,0	47,0	48,5	350,0	51,0	30,3	56,0	50,0	4,8	22..
	CNR0050T22APIHD	50,0	47,0	48,5	300,0	114,0	20,5	49,0	–	3,7	22..
	CNR0063T22APIHD	63,0	60,0	61,5	300,0	119,0	22,6	50,5	–	5,4	22..
	CNL0063T22APIHD	63,0	60,0	61,5	300,0	119,0	22,6	50,5	–	5,4	22..

## Spare Parts, included in delivery

DCINN2, modified. Please see page 27

For holder	Cantilever clamp	Clamp key	Clamp kit	Clamp screw	Insert shim (S)	Shim screw	Spring
...R22, ...S22	–	T15P-2	CSP22HD-T15P	–	NX22-1	CS4009-T15P	–
...T22, ...U22, ...V22	CHD22	T20P-7L	–	L86025-T20P	NX22-1	CS4009-T15P	S7616

## Accessories, to be ordered separately

For holder	Shim key	Insert shim (M)	Insert shim (S)											
...R22, ...S22	–		MX22-1	NX22-0	NX22-0.5	NX22-1.5	NX22-2	NX22-3	NX22-4	NX22-97.5	NX22-98	NX22-98.5	NX22-99	NX22-99.5
...T22, ...U22, ...V22	T15P-2		MX22-1	NX22-0	NX22-0.5	NX22-1.5	NX22-2	NX22-3	NX22-4	NX22-97.5	NX22-98	NX22-98.5	NX22-99	NX22-99.5

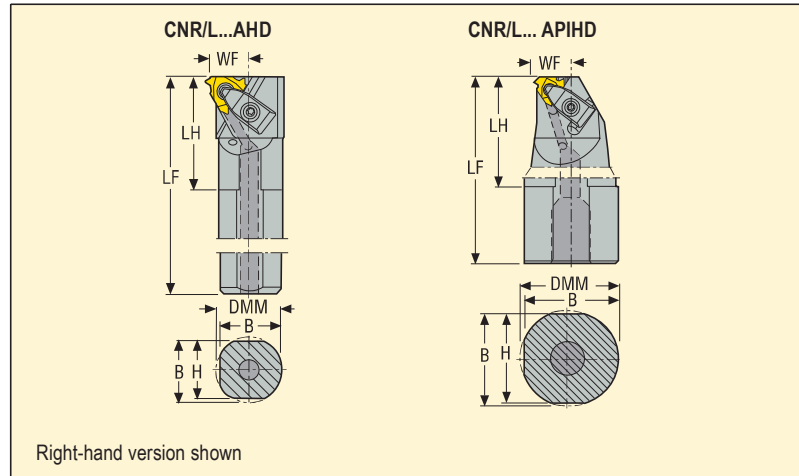
Please check availability in current price and stock-list

## Toolholders for S-inserts

Snap-Tap®



- For inserts programme, see page(s) 90-91, 94, 103, 105, 107, 109-110, 112-113



Application	Designation	Dimensions in mm								KG	
		DMM	H	B	LF	LH	WF	DCINN	DCINN2		
	CNR0040T27AHD	40,0	37,0	38,5	300,0	62,0	26,8	48,0	44,0	2,6	27..
	CNR0050U27AHD	50,0	47,0	48,5	350,0	61,0	31,8	58,0	50,0	4,8	27..
	CNR0063V27AHD	63,0	60,0	61,5	400,0	70,0	38,3	70,0	63,0	8,9	27..
	CNL0040T27AHD	40,0	37,0	38,5	300,0	62,0	26,8	48,0	44,0	2,6	27..
	CNL0050U27AHD	50,0	47,0	48,5	350,0	61,0	31,8	58,0	50,0	4,8	27..
	CNR0063T27APIHD	63,0	60,0	61,5	300,0	119,0	23,1	50,5	-	5,6	27..
	CNL0063T27APIHD	63,0	60,0	61,5	300,0	119,0	23,1	50,5	-	5,4	27..

## Spare Parts, included in delivery

DCINN2, modified. Please see page 27

For holder	Cantilever clamp	Clamp key	Clamp screw	Insert shim (S)	Shim screw	Spring
..27..						
	CHD27	T20P-7L	L86025-T20P	VX27-1	C05012-T15P	S7616

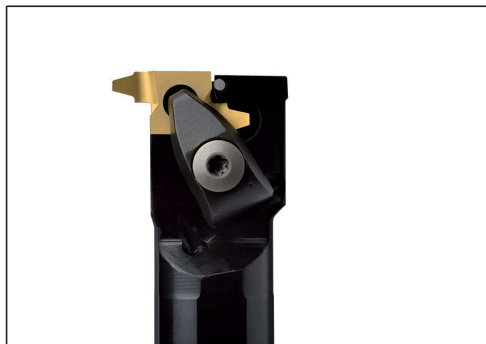
## Accessories, to be ordered separately

For holder	Shim key	Insert shim (M)	Insert shim (S)														
..27..																	
	T15P-2	MX27-1	VX27-0	VX27-0.5	VX27-1.5	VX27-2	VX27-3	VX27-4	VX27-98	VX27-98.5	VX27-99	VX27-99.5					

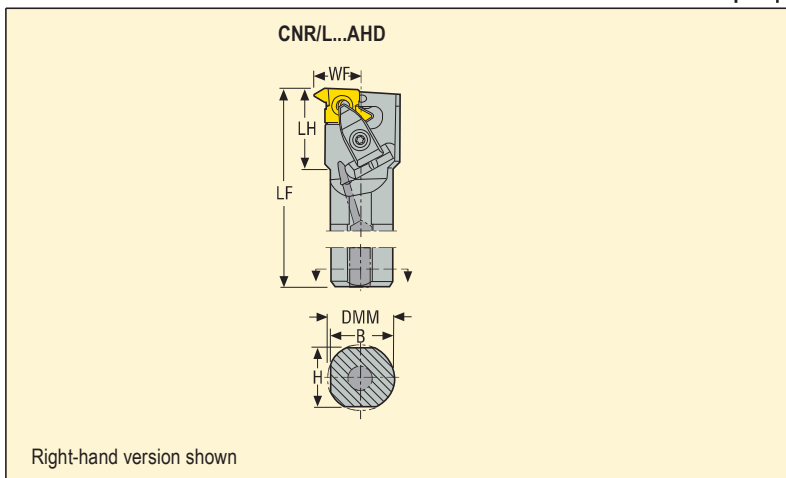
Please check availability in current price and stock-list

## Toolholders for K-inserts

Snap-Tap®



• For inserts programme, see page(s) 84-87, 105, 107, 109



Application	Designation	Dimensions in mm								KG		
		DMM	H	B	LF	LH	WF	DCINN	DCINN2			
	CNR0025R20AHD	25,0	23,0	24,0	200,0	50,0	20,5	38,0	–	0,7	20	
	CNR0032S20AHD	32,0	30,0	31,0	250,0	50,0	24,0	44,0	38,0	1,5	20	
	CNR0040T20AHD	40,0	37,0	38,5	300,0	50,0	28,0	51,0	40,0	2,6	20	
	CNL0025R20AHD	25,0	23,0	24,0	200,0	50,0	20,5	38,0	–	0,7	20	
	CNL0032S20AHD	32,0	30,0	31,0	250,0	50,0	24,0	44,0	38,0	1,4	20	
	CNR0032S26AHD	32,0	30,0	31,0	250,0	61,0	27,0	50,0	50,0	1,5	26	
	CNR0040T26AHD	40,0	37,0	38,5	300,0	60,0	31,0	55,0	50,0	2,6	26	
	CNR0050U26AHD	50,0	47,0	48,5	350,0	62,0	36,0	65,0	–	4,8	26	
	CNR0063V26AHD	63,0	60,0	61,5	400,0	64,0	42,5	80,0	63,0	8,9	26	
	CNL0040T26AHD	40,0	37,0	38,5	300,0	60,0	31,0	55,0	50,0	2,6	26	

### Spare Parts, included in delivery

DCINN2, modified. Please see page 27

For holder	Cantilever clamp	Clamp key	Clamp screw	Insert shim (K)	Shim screw	Spring
...20AHD	CHD22	T20P-7L	L86025-T20P	KX20-2	CS4009-T15P	S7616
...26AHD	CHD27	T20P-7L	L86025-T20P	KX26-2	C05012-T15P	S7616

### Accessories, to be ordered separately

For holder	Shim key	Insert shim (K)					
...20AHD	T15P-2	KX20-0	KX20-1	KX20-3	KX20-4	KX20-5	KX20-99
...26AHD	T15P-2	KX26-0	KX26-1	KX26-3	KX26-4	KX26-5	KX26-99

Please check availability in current price and stock-list